

Lever sets for standard doors acc. to DIN EN 1906, category of use 3  
Lever version TER28 Rhodos  
by KARCHER DESIGN

Solid patented 3-piece fixing rose  
and escutcheons squared, 2 1/16" x 3/8" or square shaped rose  
with 7mm lugs and nylon floating bearing,  
sprung loaded inner plate with attached lever  
Heavy duty bolt through M4 fixings  
8mm offset drilled spindle,  
diameter of handle: 3/4"  
standard door thickness: 1 3/8" – 2"

Options:

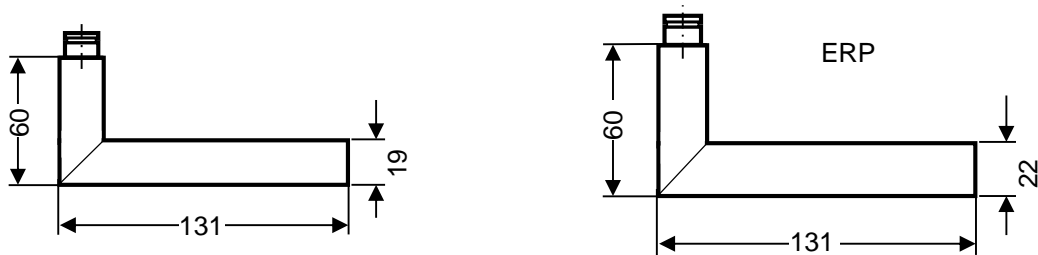
PAS – Passage set with rosette

Privacy – Passage set with rosette and matching privacy bolt

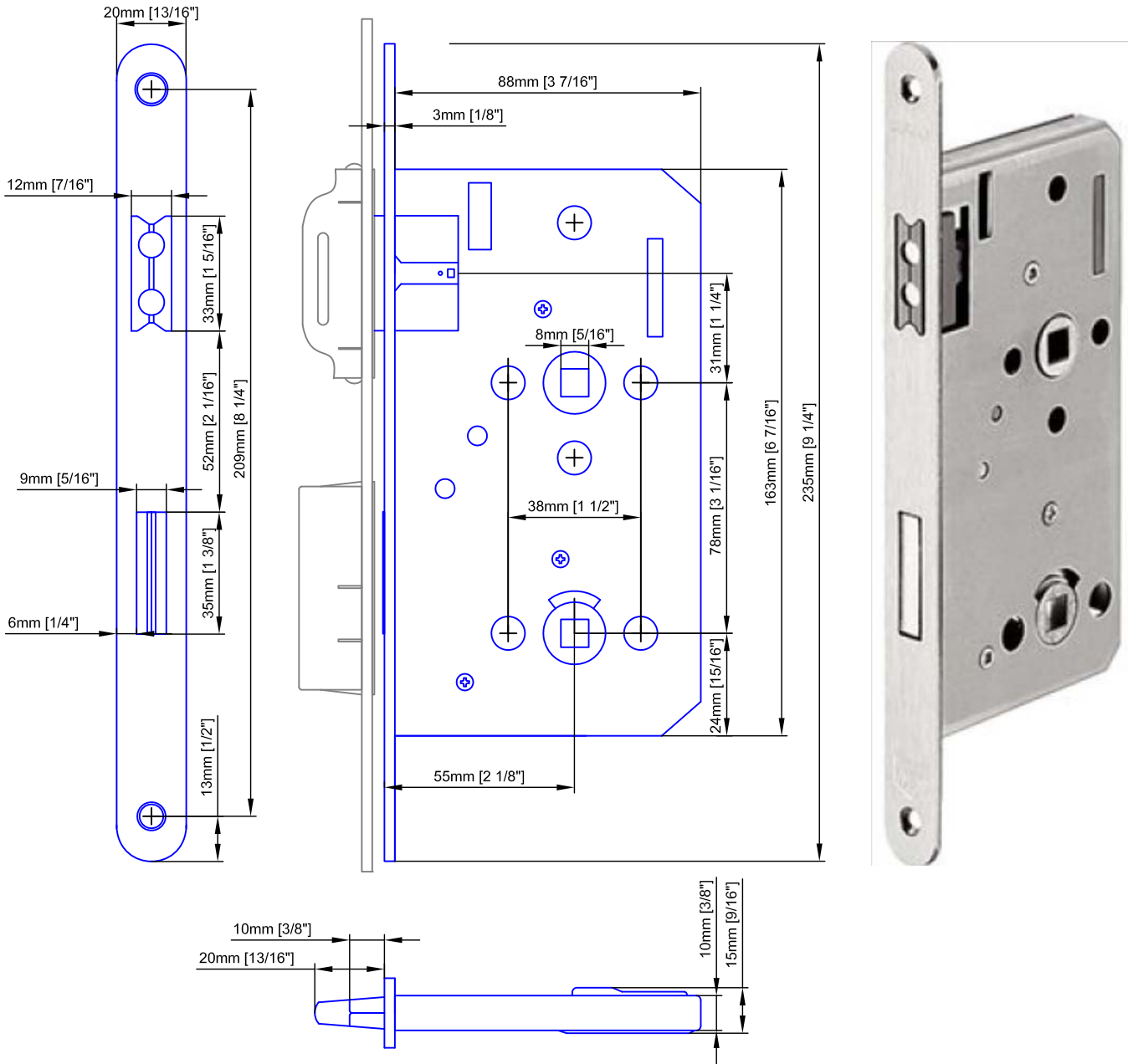
Security – Passage set with rosette and profile cylinder with rosette

Finish: satin stainless steel (finish code 71)

Dimensional detail:



# BARTELS Magnetic Moritse [BAD-Privacy]



BARTELS  
Magnetic Mortise [BAD-Privacy]

All millimeter dimensions are exact and supersede the inch conversions.

DATE: DECEMBER 2013

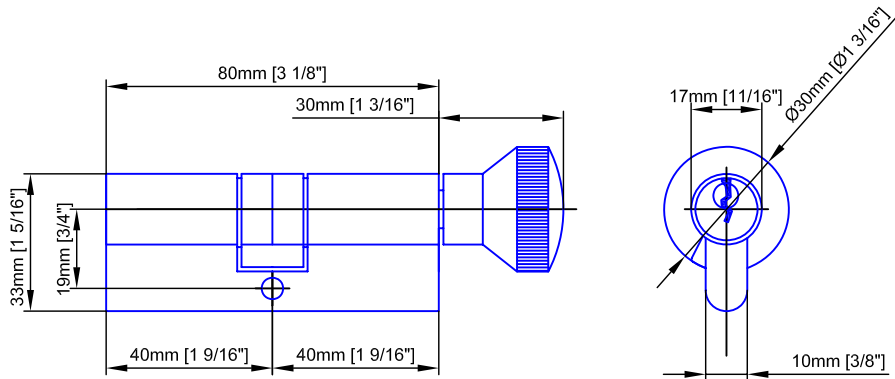
PREPARED BY: C. ANDRYKA



1901 Tigertail Blvd.  
Dania Beach, FL 33004  
[www.bartelsdoors.com](http://www.bartelsdoors.com)  
tel: 954.924.6137  
fax: 954.924.6138

**BARTELS**  
**Profile Cylinder [PZ-Security]**

40/40 Profile Cylinder  
 Max. Door Thickness = 54mm [2 1/8"]



**BARTELS**  
**Profile Cylinder [PZ-Security]**

All millimeter dimensions are exact and supersede the inch conversions.

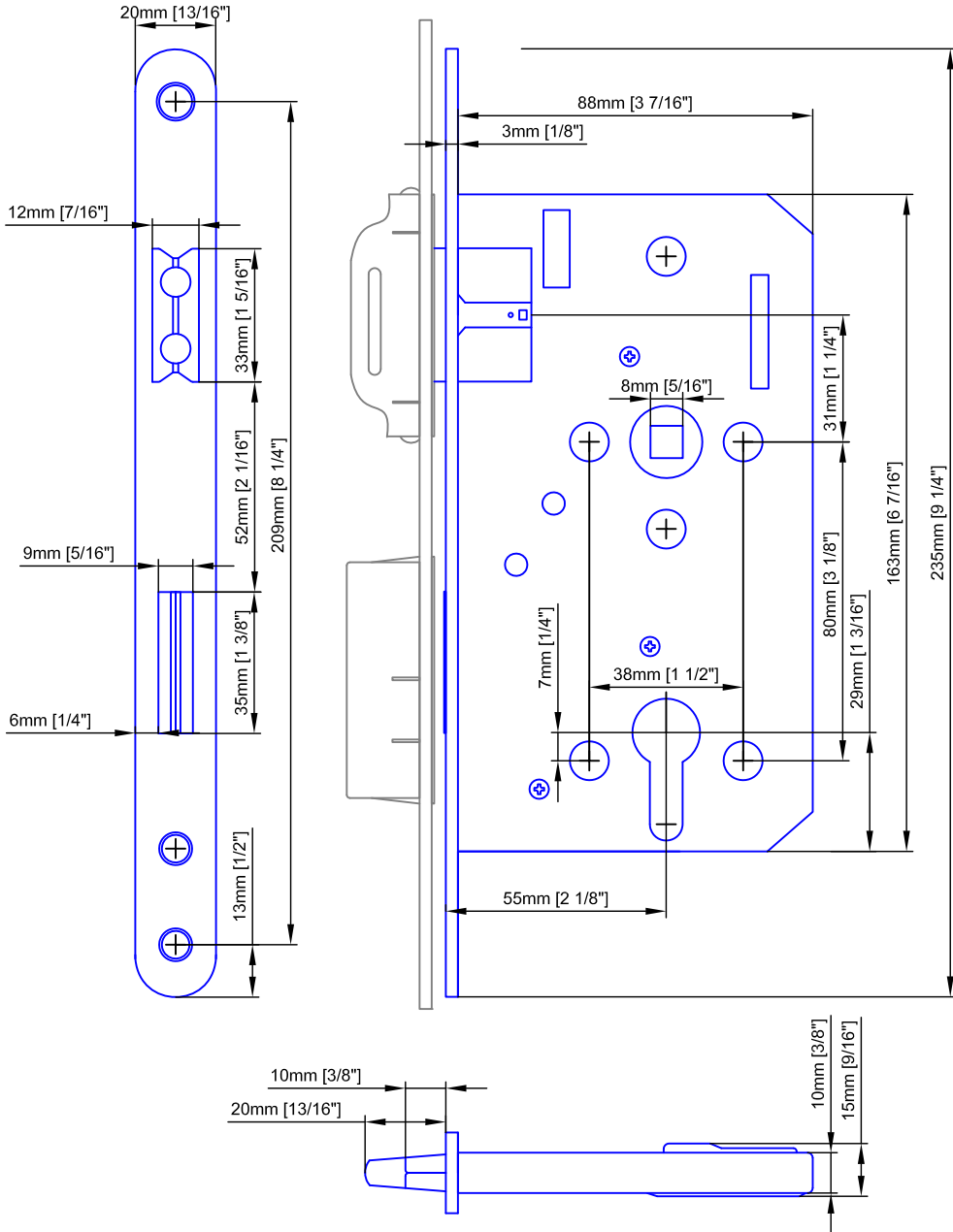
DATE: JUNE 2012

PREPARED BY: C. ANDRYKA



1901 Tigertail Blvd.  
 Dania Beach, FL 33004  
[www.bartelsdoors.com](http://www.bartelsdoors.com)  
 tel: 954.924.6137  
 fax: 954.924.6138

# BARTELS Magnetic Moritse [PZ-Security]



## BARTELS Magnetic Mortise [PZ-Security]

All millimeter dimensions are exact and supersede the inch conversions.

DATE: DECEMBER 2013

PREPARED BY: C. ANDRYKA



1901 Tigertail Blvd.  
Dania Beach, FL 33004  
[www.bartelsdoors.com](http://www.bartelsdoors.com)  
tel: 954.924.6137  
fax: 954.924.6138